

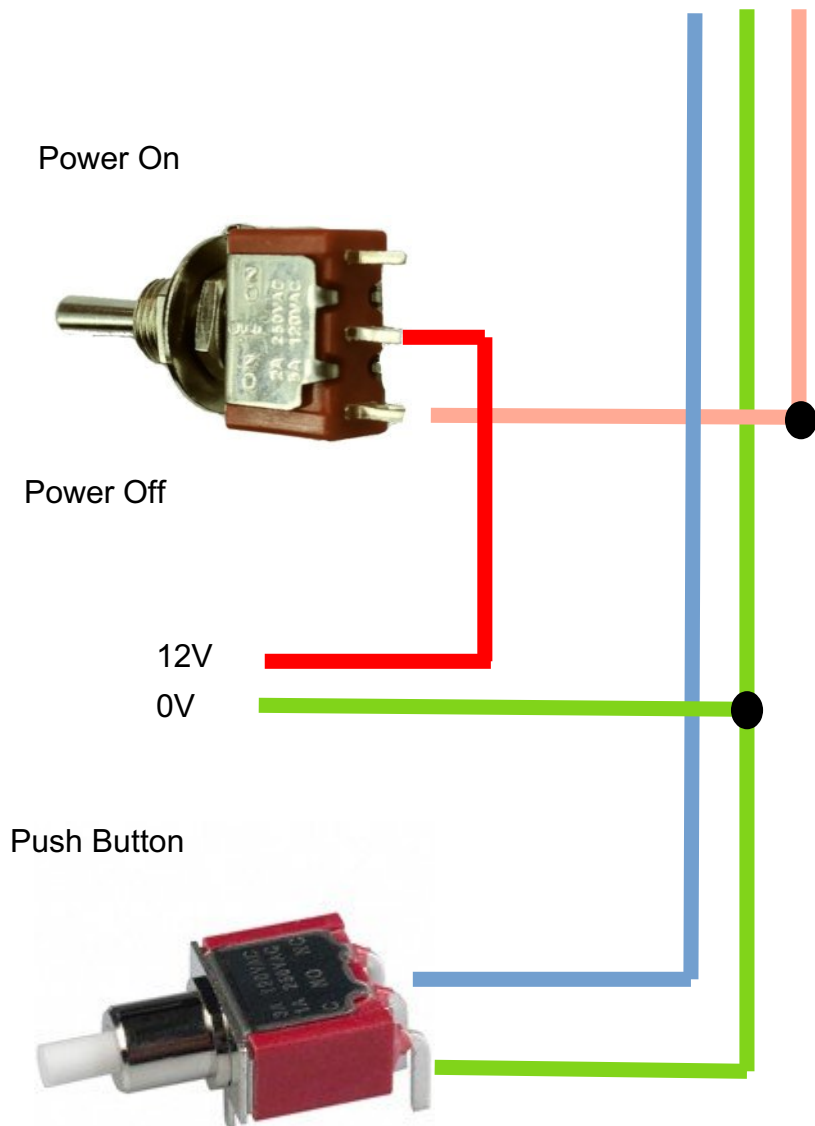
CN Lighting Series Cockpit Light V2

Basic Specifications



Wire Colors	Function
Orange	V+ (12-24V DC)
Blue	Do not apply any voltage. This connection may float (unconnected) or connected to ground (0V) for specific functions
Green	Gnd (0V)
Specifications	
Supply Voltage	12 – 24 VDC
Power Usage	Red Light : 30 mA @ 12V White Light: 62 mA @ 12V
Light Output	Red Light – 5.5 Candela White – 15 Candela
Protection Rating	None. Do not splash or submerge. Inside operation only
Functions	
1. Red Light	+ Dimming
2. White Light	+ Dimming

Typical connection



Operation

Please read carefully to understand the light operation

The Cockpit light is fitted with 6 RGB LEDs which makes it possible to generate Red or White light

The Green (0V) and Orange (12V) wire is used to power the light.
The Blue (adjust) wire is used to change the light settings.

The Blue and Green wire must be connected to a push button switch (PBS) or normal switch so that the Blue wire can make contact with Green (0V) when the PBS is pressed

Functions:

1. If the PBS is activated for a short time, the light will change from Red to White or from White to Red.
2. Holding the PBS in, will activate the dimming. The light intensity will ramp up to maximum where it will stay until the PBS is released.
3. Holding the PBS again, will activate the dimming again, but ramp down the intensity.
4. Let go of the PBS when the intensity you require is reached.
5. The light will now store this setting. After approximately 10 seconds the light will flash twice. After this the settings are stored.
6. Switching the light on/off will now default to your saved setting.
7. This has been implemented in this way, that should you always require a Red light in the cockpit for eg. at low intensity you can set this, and the light will always switch on, on this setting.
8. You may at any time use the PBS to change the light colour or intensity