

CN26 – LED Airport Rotating Beacon

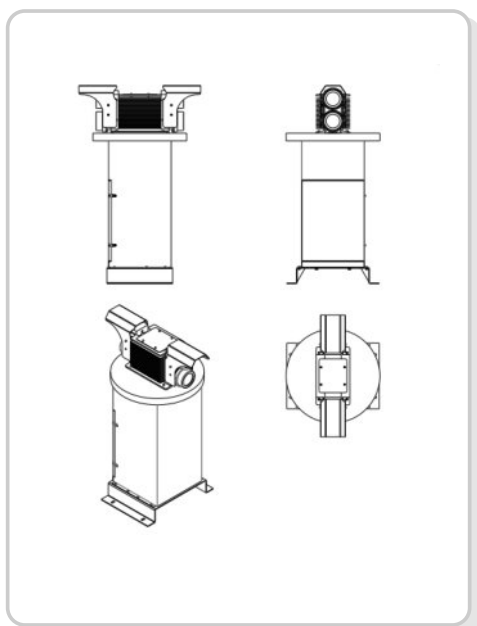
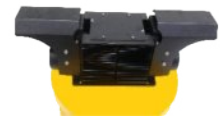
Application

Widely used for Airport Location Identification

Compliance with standards
 ICAO: Annex14 Para5.3.3
 FAA : AC 150/5345-12, L-801A

Key Feature

1. Anti-UV and high efficiency transmission up to 90%
2. Meet FAA specification AC 150/5345-12 L801A
3. Aluminium Alloy
4. Energy efficient, long lifespan
5. Low power consumption with high efficiency
6. Surge protected
7. IP65



Operating voltage	AC220V (Other available)
Power consumption	White-150W*2; Green-30W*2
Flash Frequency	12rpm, 24 flashes/minute
Light Intensity	25000-50000cd
Light Source	LED
Light Source Lifespan	100,000hours
Emitting Color	White & Green
Ingress Protection	Ip65
Altitude	≤2500m
Operating temperature	-40°C ~ 55°C
Wind Load	240Km/h
Weight	85kg
Overall Dimension (mm)	630*485*1030
Installation Dimension (mm)	428*220*M10