



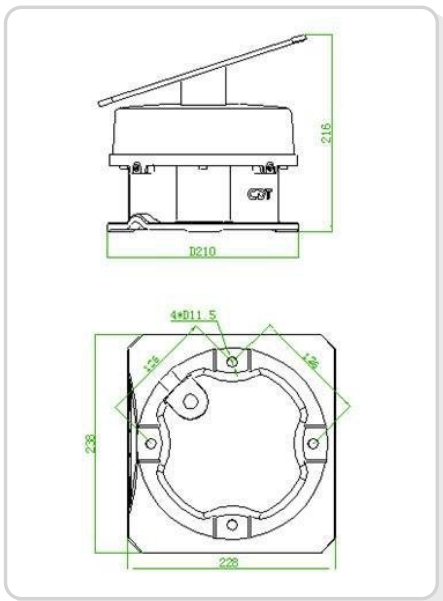
CN30 – LED Navigation / Obstruction Light

Application

Widely used for airports, Helipads, cranes, masts, wind turbines, bridges and high rise buildings

Key Feature

1. Anti-UV and high efficiency transmission up to 90%
2. ABS+PC alloy base, resistance to corrosion
3. Energy efficient, long lifespan
4. Fresnel lense optical design
5. Low power consumption with high efficiency
6. Controls automatic light intensity levels
7. Surge protected
8. IP65



Name	GPS synchronization remote controlled LED Solar Navigation light
Standard	FAA, ICAO Standard
Model	CN 1015S
Input voltage	DC12V, others can be customized
Power	≤10W
Flashing frequency	20-60 times/min
Light intensity	2000 cd
Light source	LED
Light source lifespan	> 100,000 hours
Emitting color	Red
Beam angle	360° horizontal, ≥3° vertical
Overall size(mm)	195mm×195mm×393mm
Installation size(mm)	Φ127mm-4×M10
Ingress protection	Ip65
Lightning protection	10KA
Light controlled sensitivity	100Lux
Operating temperature	-40°C-55°C
Wind load	80 m/sec
Net weight	2.5kg.