

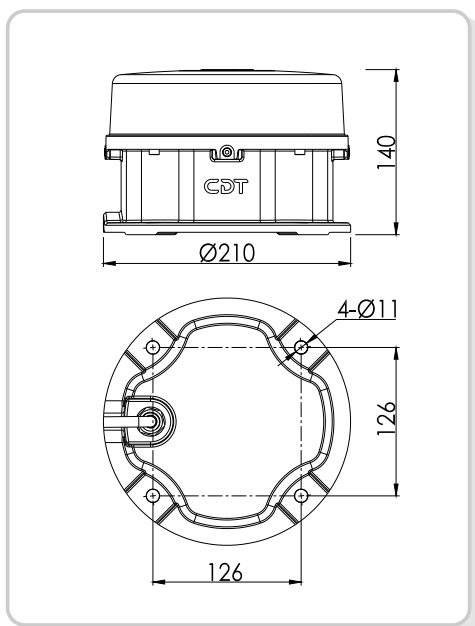
CN29 – LED Navigation / Obstruction Light

Application

Widely used for airports, Helipads, masts, wind turbines, bridges and high rise buildings

Key Feature

1. Anti-UV and high efficiency transmission up to 90%
2. ABS+PC alloy base, resistance to corrosion
3. Energy efficient, long lifespan
4. Fresnel lense optical design
5. Low power consumption with high efficiency
6. Controls automatic light intensity levels
7. Surge protected
8. IP65



Item	Parameter
Standard	FAA, ICAO Standard
Operating voltage	AC220V (Other available)
Power consumption	≤10W
Flashing frequency	20 ~ 60times/min
Light source	Red LED
Light intensity	2000cd(±25%)
Emitting color	Red/white
Beam angle	360° horizontal beam angle ≥3° vertical beam spread
Method of synchronization	Same power supply voltage signal mode
Overall size(mm)	Φ210mm×140mm
Installation size(mm)	126mm×126 mm -4×M10
Ingress protection	Ip65
Lightning protection level	10KA
Light controlled sensitivity	100Lux
Operating temperature	-40°C ~ 55°C
Net weight	2.5kg
Wind load	80m/sec.