

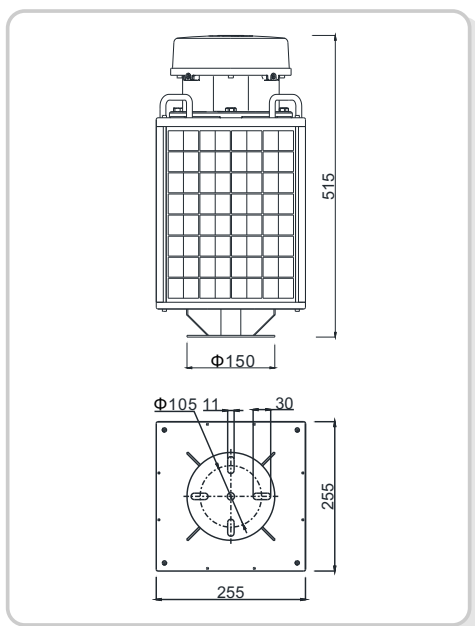
CN27- LED Solar Navigation / Obstruction Light

Application

Widely used for airports, Helipads, masts, wind turbines, bridges and high rise buildings

Key Feature

1. Anti-UV and high efficiency transmission up to 90%
2. ABS+PC alloy base, resistance to corrosion
3. Battery operated, reliable
4. Charge and discharge controlled precisely
5. Energy efficient, long lifespan
6. Fresnel lense optical design
7. Low power consumption with high efficiency
8. Controls automatic light intensity levels
9. Surge protected
10. IP65



Item	Parameter
Operating voltage	DC12V
Power consumption	≤10W
Flashing frequency	20 ~ 60times/min
Light source	Red LED
Light intensity	2000cd(±25%)
Emitting color	Red
Beam angle	360° horizontal beam angle ≥3° vertical beam spread
Method of synchronization	NA (could choose the GPS)
Overall size(mm)	255mm×255mm×515mm
Installation size(mm)	Φ105mm-4×M10
Ingress protection	Ip65
Lightning protection level	10KA
Light controlled sensitivity	100Lux
Operating temperature	-40°C ~ 55°C
Net weight	17kg
Wind load	80m/sec

Solar Power Panel Size:320*230*3mm
 Solar Power Voltage:18V
 Solar Power Consumption:10.5W per pcs
 Lead Acid Battery: 24AH