

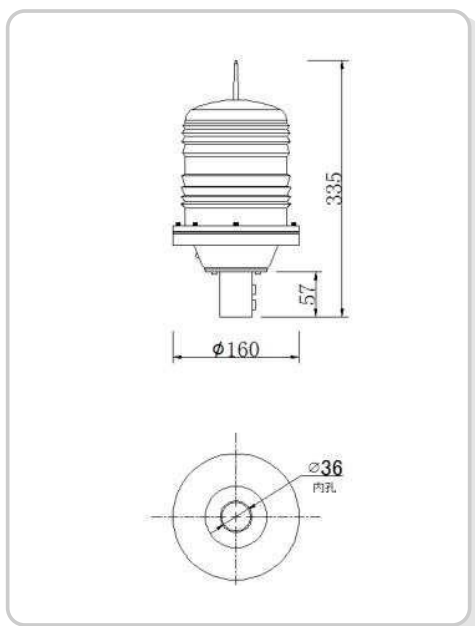
CN26 – LED Navigation / Obstruction Light

Application

Widely used for airports, Helipads, masts, wind turbines, bridges and high rise buildings

Key Feature

1. Anti-UV and high efficiency transmission up to 90%
2. ABS+PC alloy base, resistance to corrosion
3. Energy efficient, long lifespan
4. Synchronizing function available
5. Low power consumption with high efficiency
6. Controls automatic light intensity levels
7. Surge protected
8. IP65



Item	Parameter
Operating voltage	AC220V
Power consumption	≤5W
Flashing frequency	Steady burning
Light source	Red LED
Light intensity	≥32cd
Emitting color	Red
Beam angle	360° horizontal beam angle ≥10° vertical beam spread
Method of synchronization	Steady burning
Overall size(mm)	36mm×335mm
Installation size(mm)	36mm ×57mm
Ingress protection	Ip65
Lightning protection level	10KA
Light controlled sensitivity	100Lux
Operating temperature	-40°C ~ 55°C
Net weight	1.5kg
Wind load	80m/sec.