
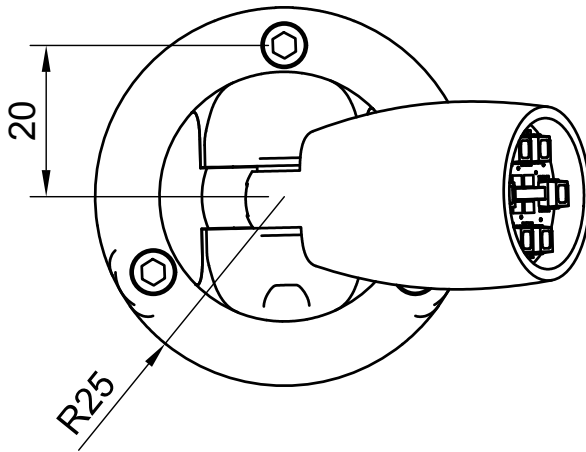
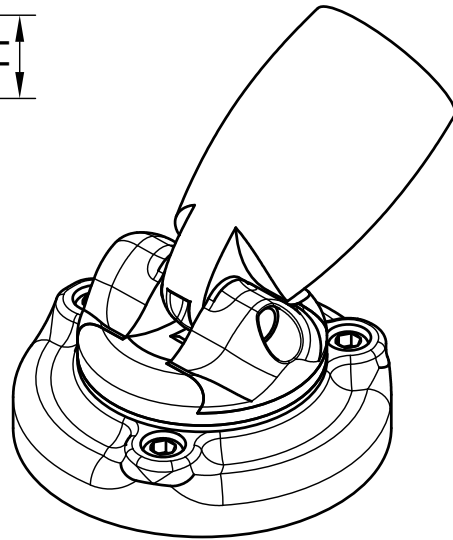
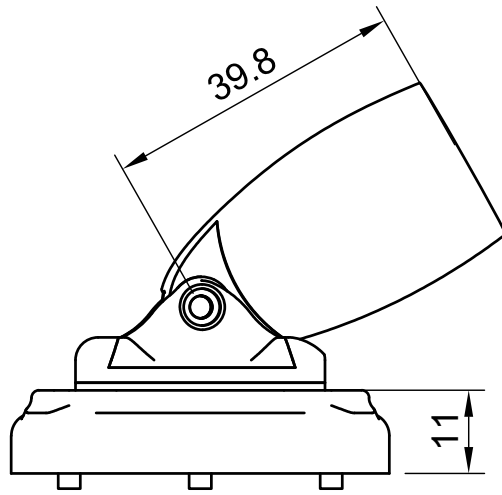



Dept.	Technical reference	Created by	Approved by		
		Document type	Document status		
		Title	DWG No.		
			Rev.	Date of issue	Sheet
		Cockpit Light			1/2



Dept.	Technical reference	Created by	Approved by		
		Document type	Document status		
		Title	DWG No.		
			Cockpit Light	Rev.	Date of issue