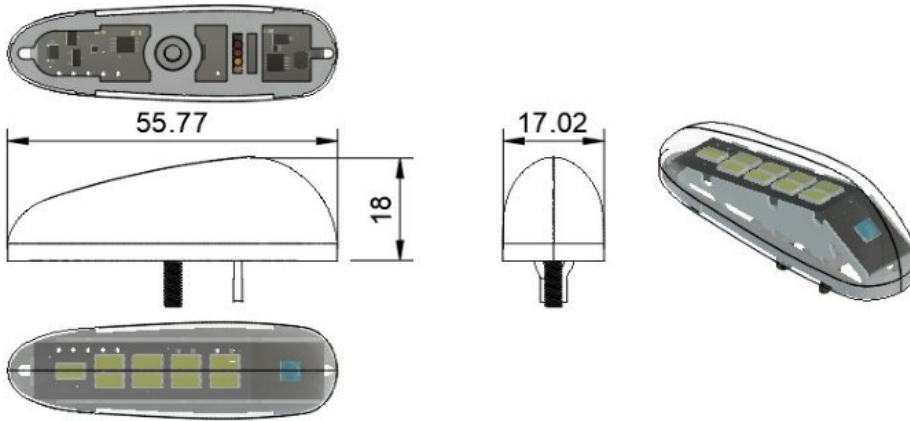


# CN Lighting Series



www.cnlighting.co.za  
 info@cnlighting.co.za  
 Tel: +27764024332

## Product: RC Drone Strobe



This Navigation/Strobe light is intended for use on RC Aircraft or Drones. The lights are built as a set with a Red and Green Navigation LED in the front.

The light is mounted with a single M3 screw that is moulded into the light. The light is cast in a clear UV resistant epoxy and is water proof, dust proof and resistant to vibration.

The light is normally fitted with a female 'JR' type servo lead, with 3 wires. The Beacon Light is always on. The Strobe sequence is activated by applying a positive voltage signal to the Strobe Enable wire.

Dimensions	W x H x L	17 mm x 18 mm x 56mm
Weight	15g	
Power	11.5V to 15V	DC power only
Red Wire	Power	Positive Power Input 11.5V to 15V
Brown Wire	Gnd	Gnd power input. 0 V
Orange Wire	Strobe Enable	Positive logic signal. Min voltage : 3.3V Max voltage : Power
Strobe Light Current	Approx 300mA @ 12V	
Navigation Light	Approx 60mA @ 12V	
Strobe Sequence	6 flashes with a pause period	Period is approx 3 seconds
Screw Length	Standard length protrudes 7mm	
Servo Lead Length	Standard length is 120mm	