
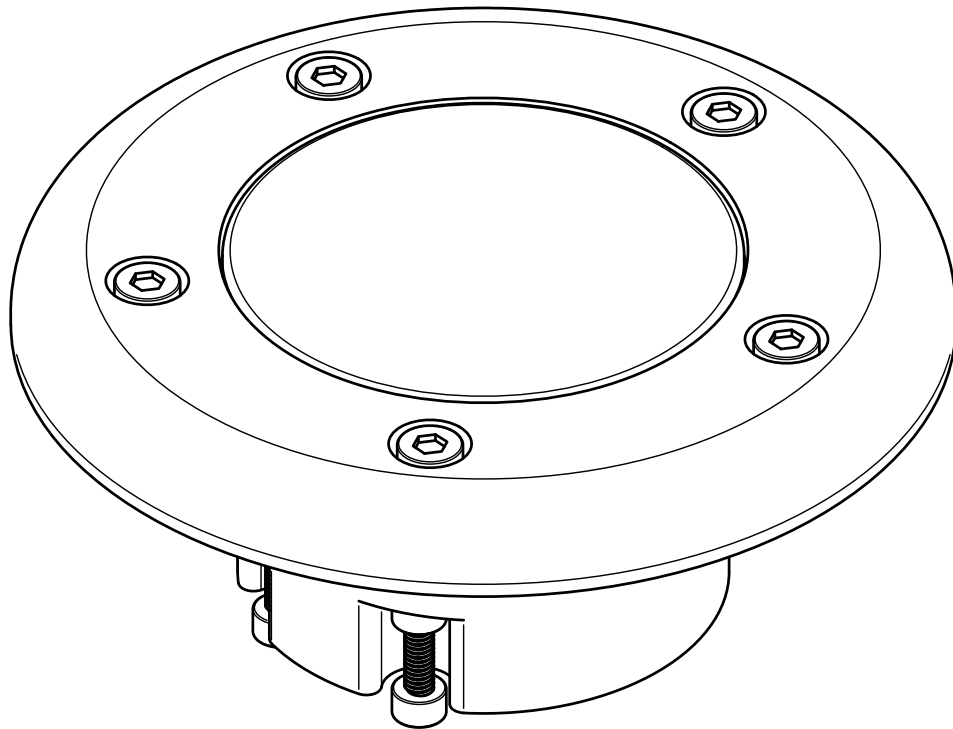



Dept.	Technical reference	Created by	Approved by		
		Document type	Document status		
		Title	DWG No.		
		Assembly		Rev.	Date of issue



Dept.	Technical reference	Created by	Approved by		
		Document type	Document status		
		Title Assembly	DWG No.		
		Rev.	Date of issue	Sheet 2/2	