

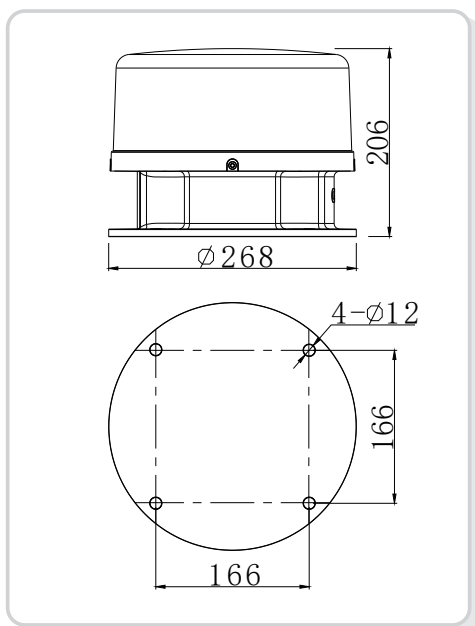
CN1015/Type A Medium Intensity Aviation Obstruction Light Type B

Application

Widely used for airports, Helipads, masts, wind turbines, bridges and high rise buildings

Key Feature

1. Anti-UV and high efficiency transmission up to 90%
2. ABS+PC alloy base, resistance to corrosion
3. Energy efficient, long lifespan
4. Fresnel lense optical design
5. Low power consumption with high efficiency
6. Controls automatic light intensity levels
7. Surge protected
8. IP65



Item	Parameter
Standard	FAA, ICAO Standard
Operating voltage	AC220V (Other available)
Power consumption	≤30W
Flashing frequency	20~60times/min
Light source	White LED
Light intensity	2000~20000cd(±25%)
Emitting color	White
Beam angle	360° horizontal beam angle ≥3° vertical beam spread
Method of synchronization	Same power supply voltage signal mode
Overall size(mm)	Φ268mm×206mm
Installation size(mm)	166mm×166 mm -4×M10
Ingress protection	Ip65
Lightning protection level	10KA
Light controlled sensitivity	100Lux
Operating temperature	-40°C ~ 55°C
Net weight	7kg
Wind load	80m/sec.