

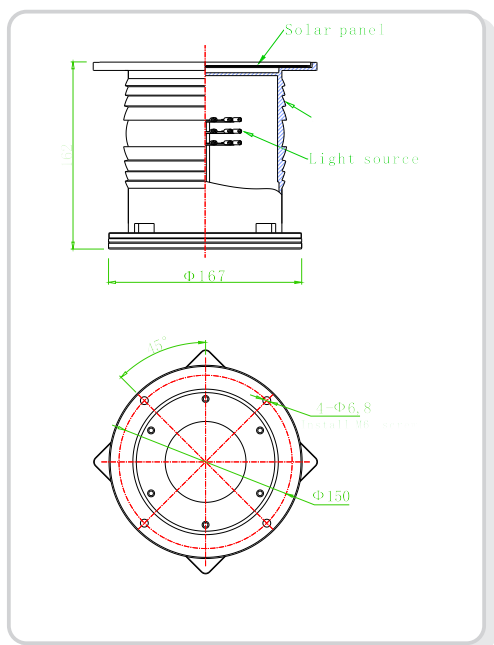
CN14 - Helipad Solar Lighting

Application

Widely used for helipads

Key Feature

1. Anti-UV and high efficiency transmission up to 90%
2. ABS+PC alloy base, resistance to corrosion
3. Battery operated, reliable
4. Charge and discharge controlled precisely
5. Energy efficient, long lifespan
6. Fresnel lense optical design
7. Low power consumption with high efficiency
8. Controls automatic light intensity levels
9. Surge protected
10. IP65



Item	Parameter
Model	CN14 - Helipad Solar Light
Operating voltage	DC6.5V(solar power)
Power consumption	≤3W
Flashing frequency	Static
Light source	LED
Peak light intensity	32.5cd(±25%)
Lifespan	100000 hours
Emitting color	White, Green, Yellow, Red
Beam angle	360° horizontal beam angle
	≥ 3° vertical beam spread
Overall size(mm)	Φ167mmx162mm
Installation size(mm)	Φ150mm-4*M12
Ingress protection	Ip65
Lightning protection level	5KA
Light controlled sensitivity	100Lux
Operating temperature	-30°C ~ 60°C
Net weight	1.2kg
Wind load	80m/sec