
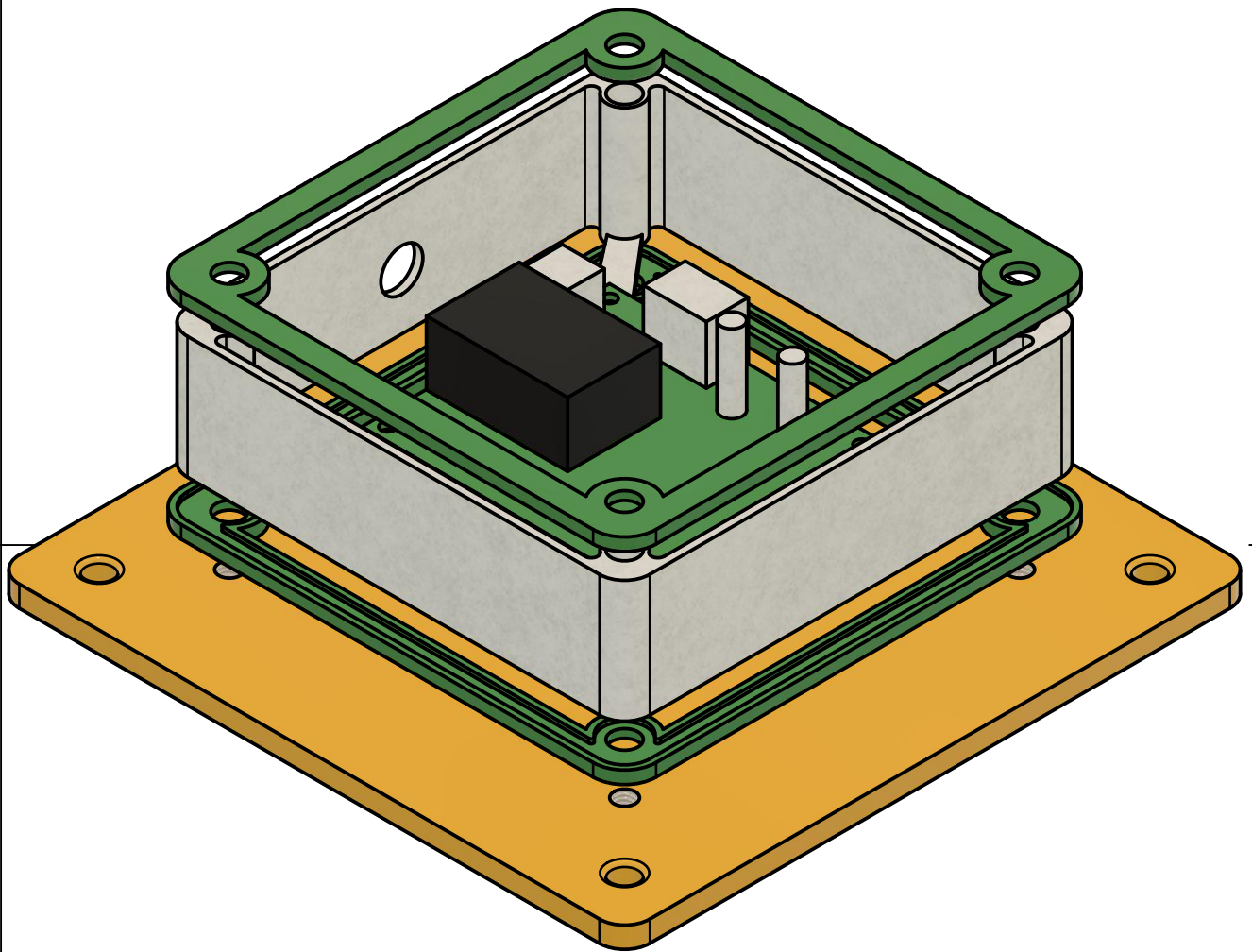

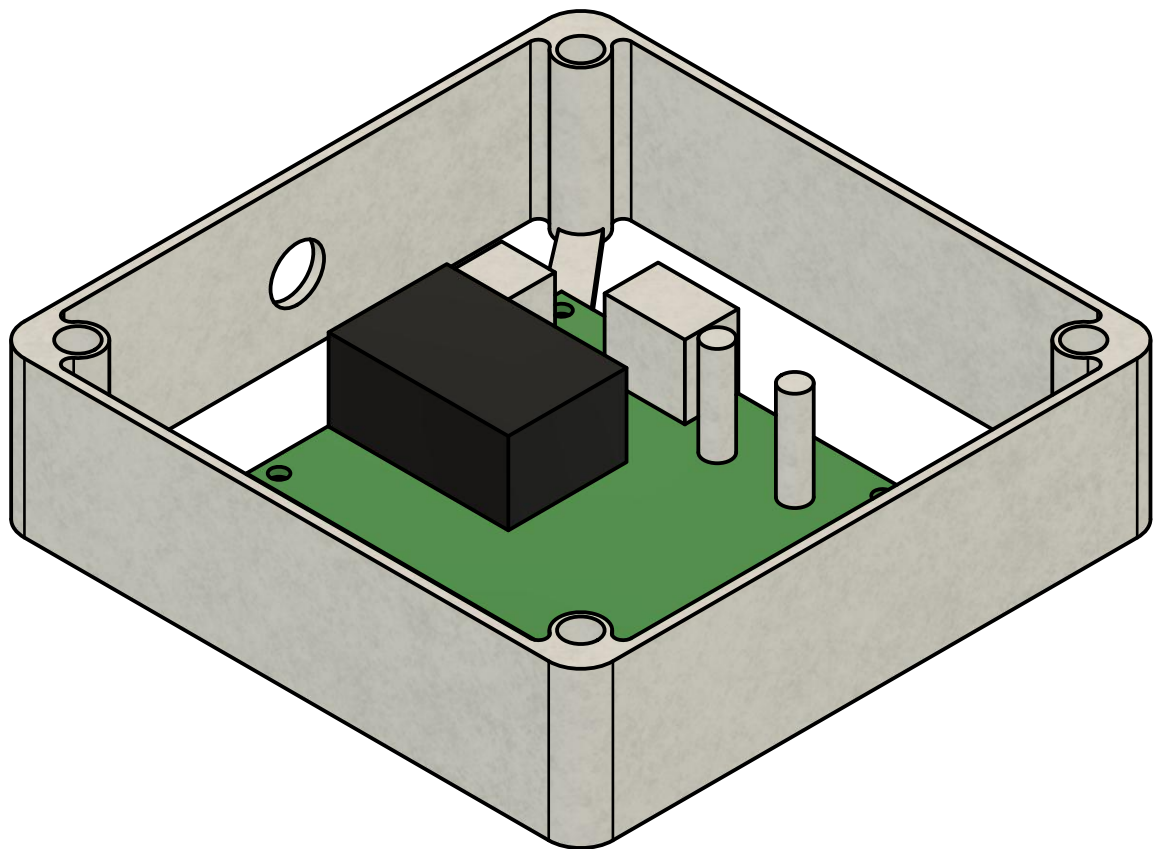



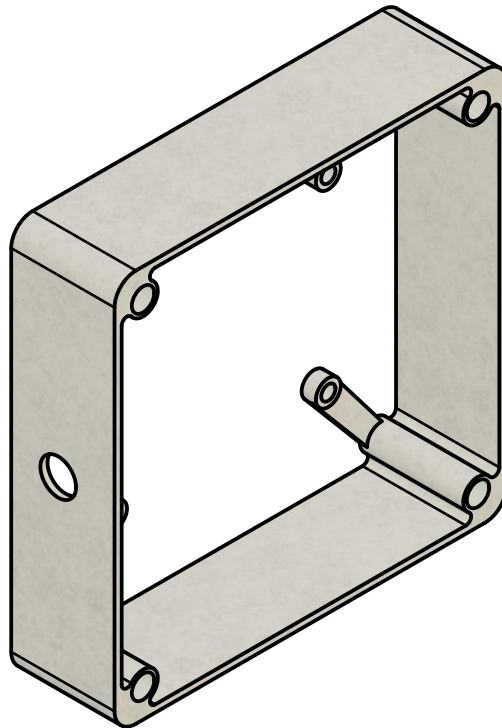
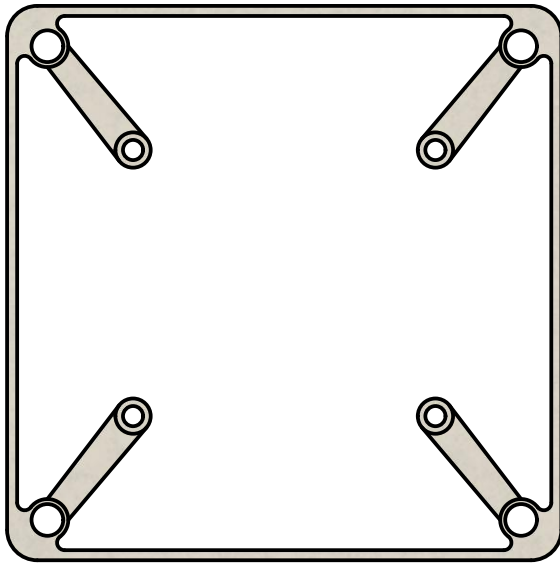
Dept.	Technical reference	Created by CN Lighting	Approved by	
		Document type	Document status	
		Title WigWagAssmebly	DWG No.	
		Rev.	Date of issue	Sheet 1/6




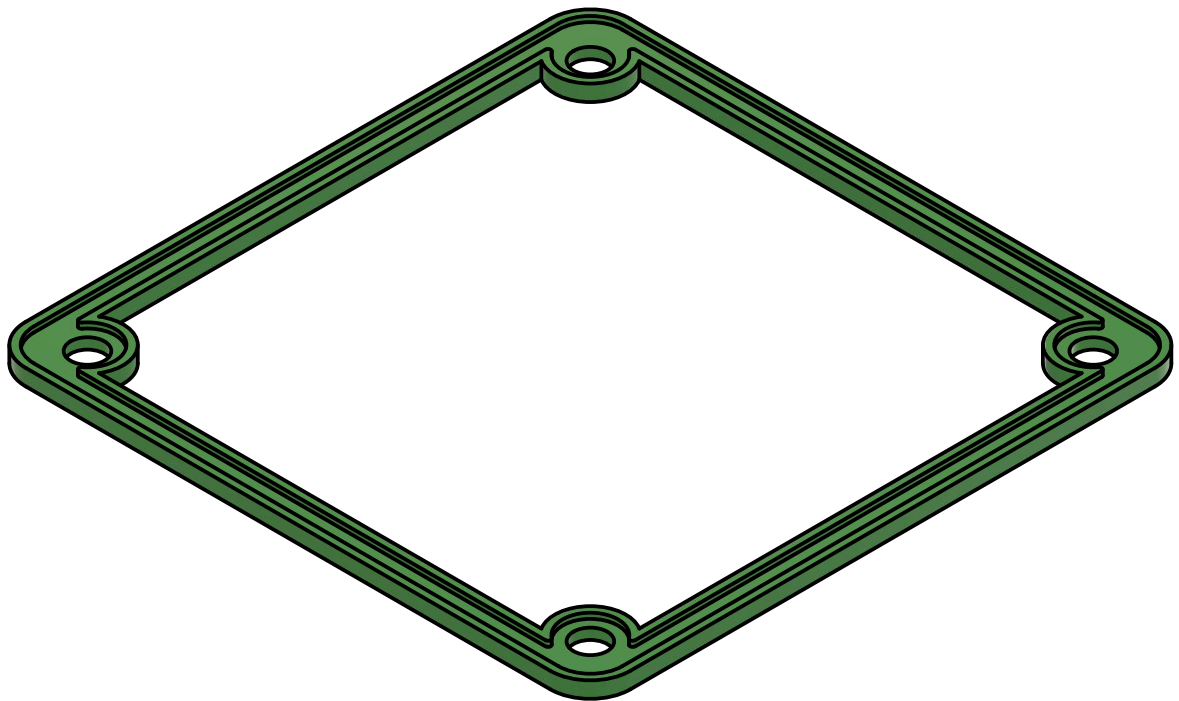
Dept.	Technical reference	Created by CN Lighting	Approved by	
		Document type	Document status	
		Title WigWagAssmebly	DWG No.	
		Rev.	Date of issue	Sheet 2/6




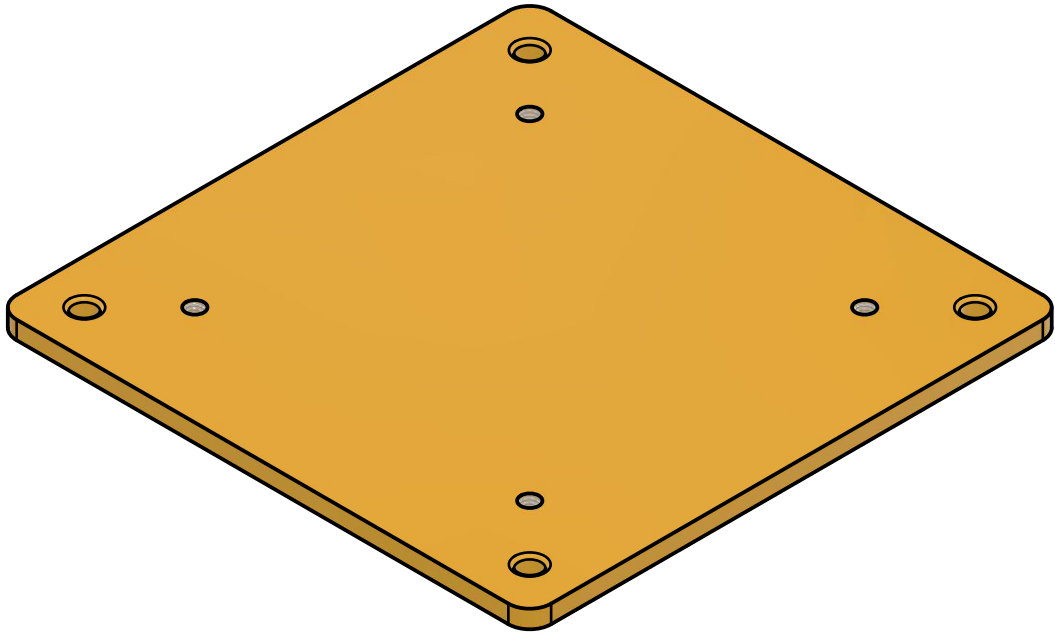
Dept.	Technical reference	Created by CN Lighting	Approved by	
		Document type	Document status	
		Title WigWagAssmebly	DWG No.	
		Rev.	Date of issue	Sheet 3/6




Dept.	Technical reference	Created by CN Lighting	Approved by	
		Document type	Document status	
		Title WigWagAssmebly	DWG No.	
		Rev.	Date of issue	Sheet 4/6



Dept.	Technical reference	Created by CN Lighting	Approved by	
		Document type	Document status	
		Title WigWagAssmebly	DWG No.	
		Rev.	Date of issue	Sheet 5/6



Dept.	Technical reference	Created by CN Lighting	Approved by	
		Document type	Document status	
		Title WigWagAssmebly	DWG No.	
		Rev.	Date of issue	Sheet 6/6