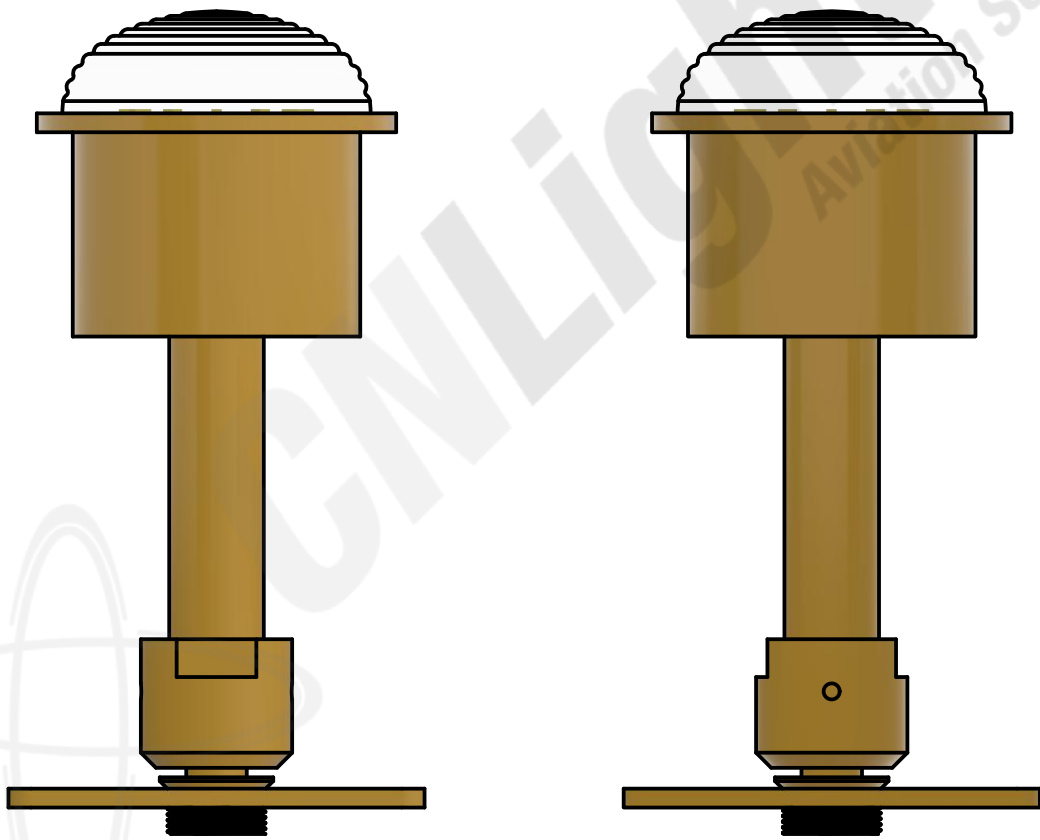
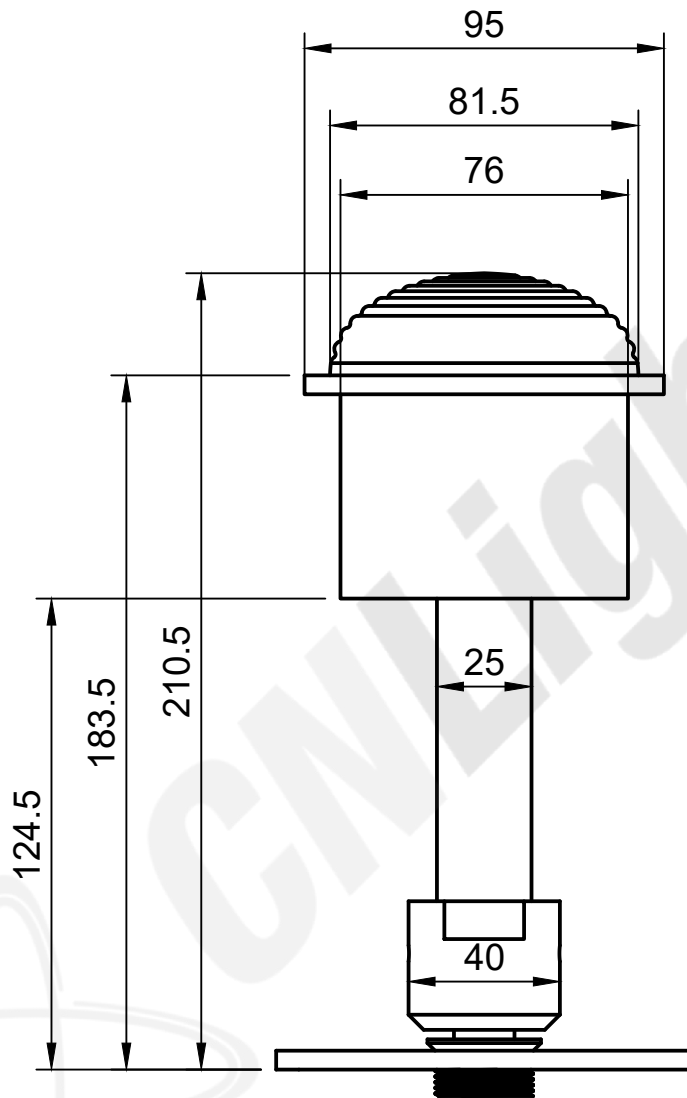


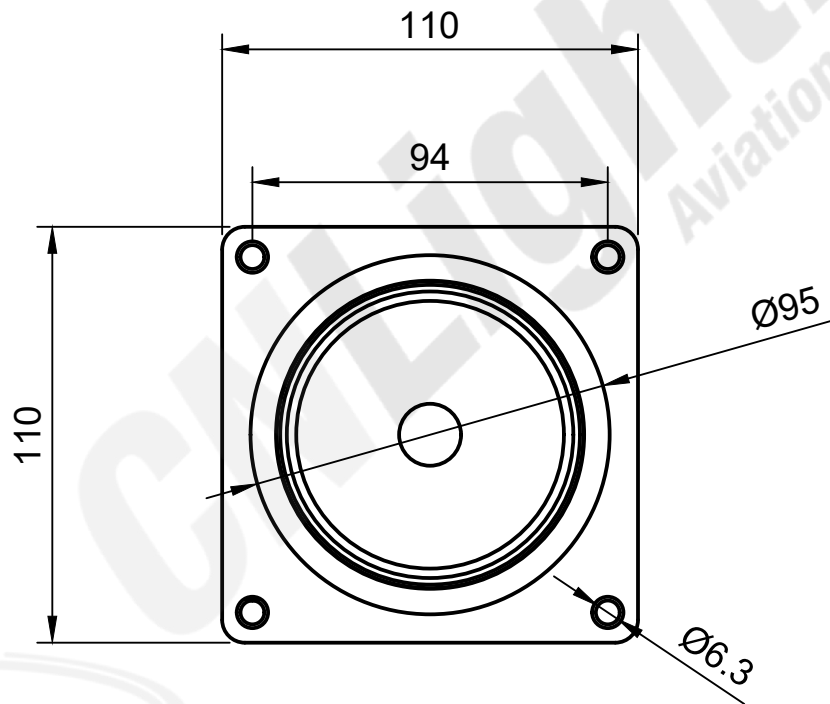
Dept.	Technical reference	Created by <b>CN Lighting Series</b>	Approved by	
		Document type	Document status	
		Title <b>Taxi Light</b>	DWG No.	
		Rev.	Date of issue	Sheet <b>1/4</b>



Dept.	Technical reference	Created by <b>CN Lighting Series</b>	Approved by	
		Document type	Document status	
		Title <b>Taxi Light</b>	DWG No.	
		Rev.	Date of issue	Sheet <b>2/4</b>



Dept.	Technical reference	Created by <b>CN Lighting Series</b>	Approved by	
		Document type	Document status	
		Title <b>Taxi Light</b>	DWG No.	
		Rev.	Date of issue	Sheet <b>3/4</b>



Dept.	Technical reference	Created by <b>CN Lighting Series</b>	Approved by	
		Document type	Document status	
		Title <b>Taxi Light</b>	DWG No.	
		Rev.	Date of issue	Sheet <b>4/4</b>