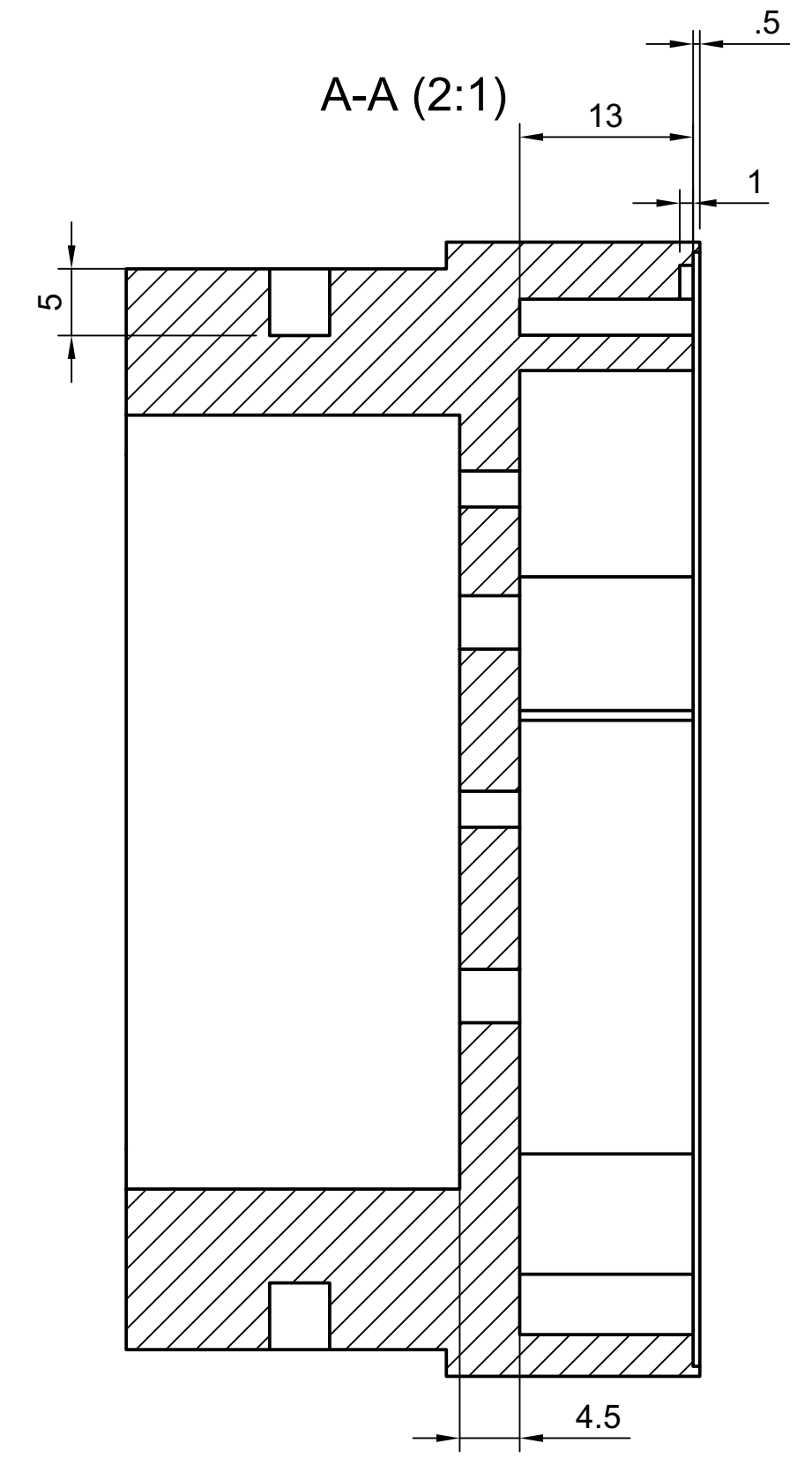
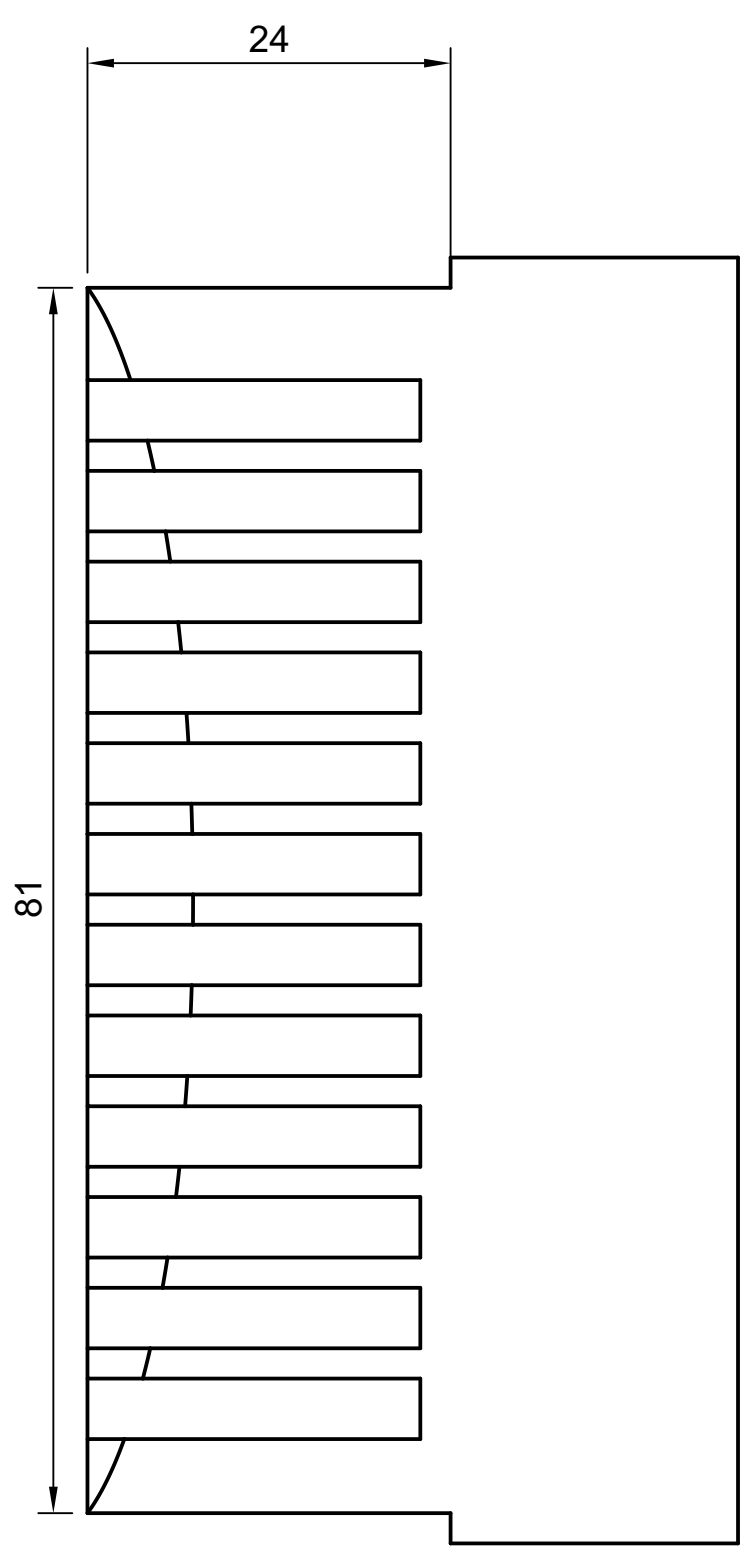
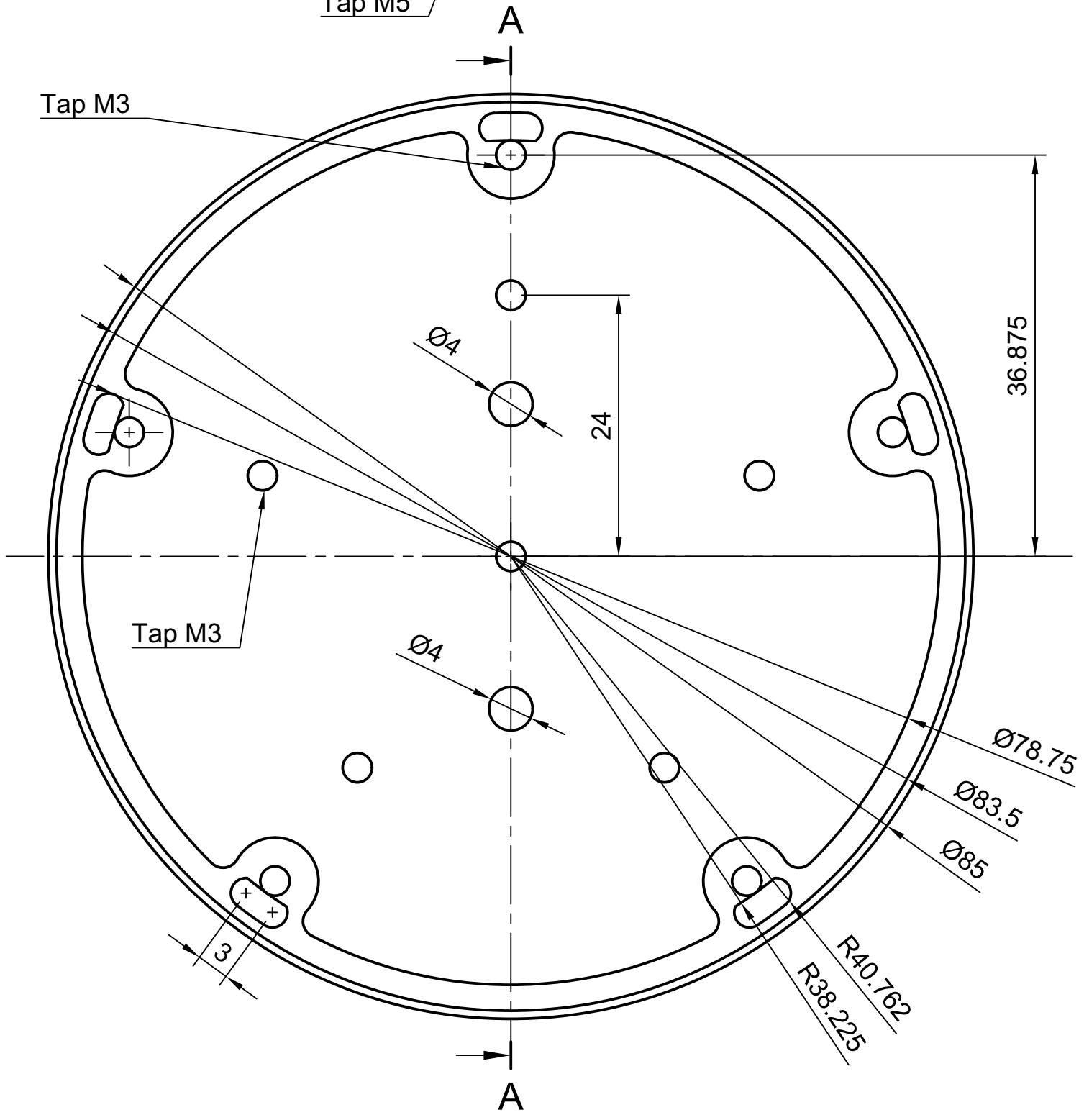
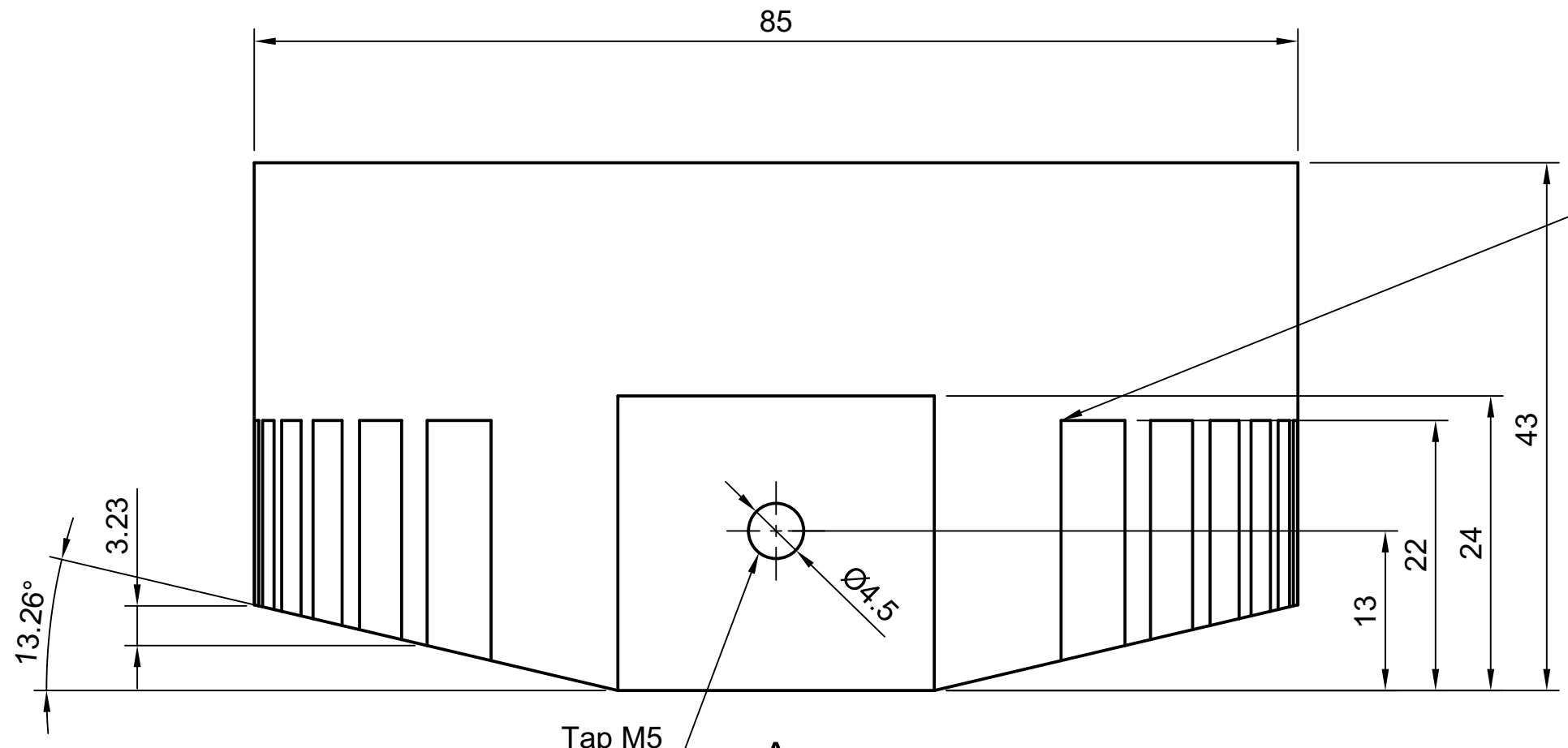



1 2 3 4 5 6 7 8 9 10 11 12

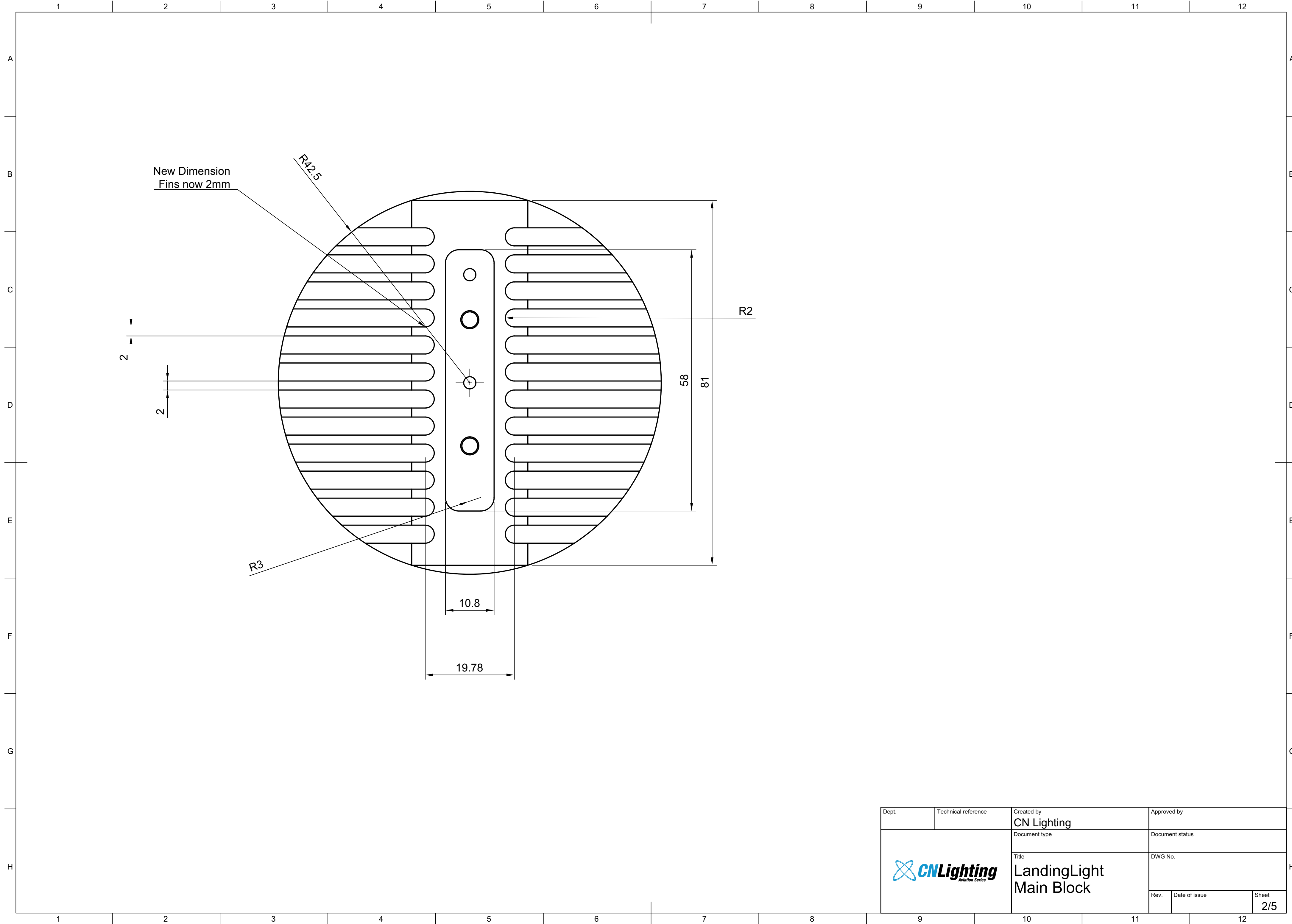
A  
B  
C  
D  
E  
F  
G  
H


A  
B  
C  
D  
E  
F  
G  
H

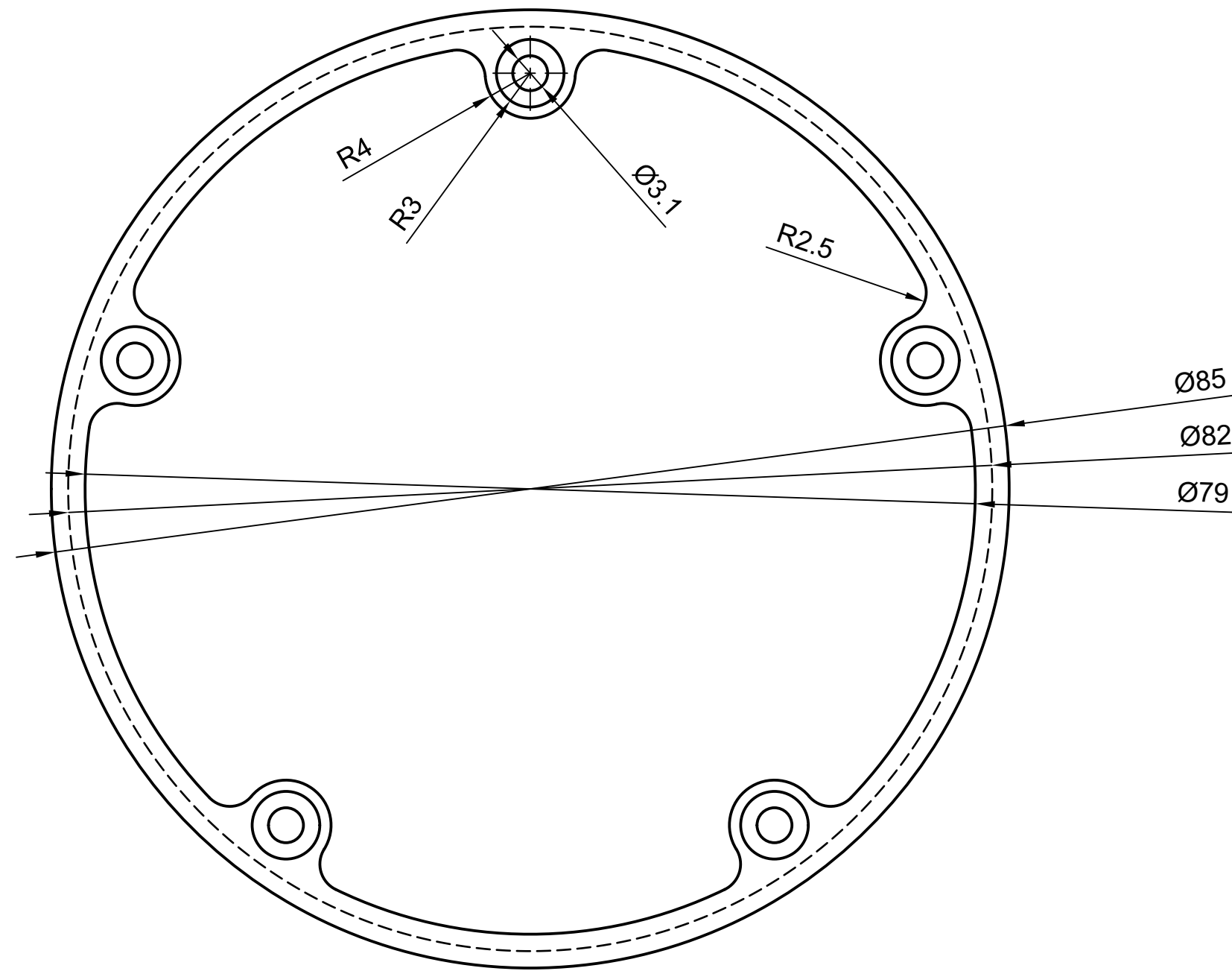
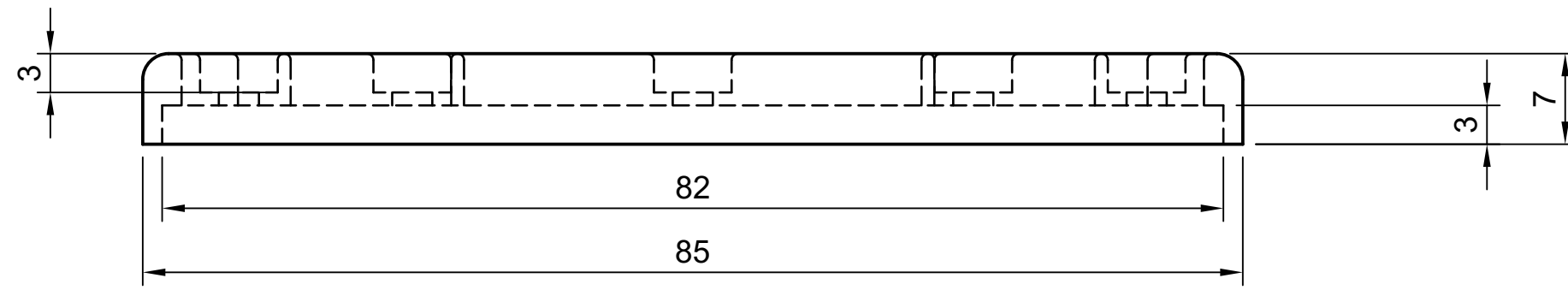



Dept.	Technical reference	Created by CN Lighting	Approved by
		Document type	Document status
		Title LandingLight Main Block	DWG No.
Rev.	Date of issue	Sheet 1/5	

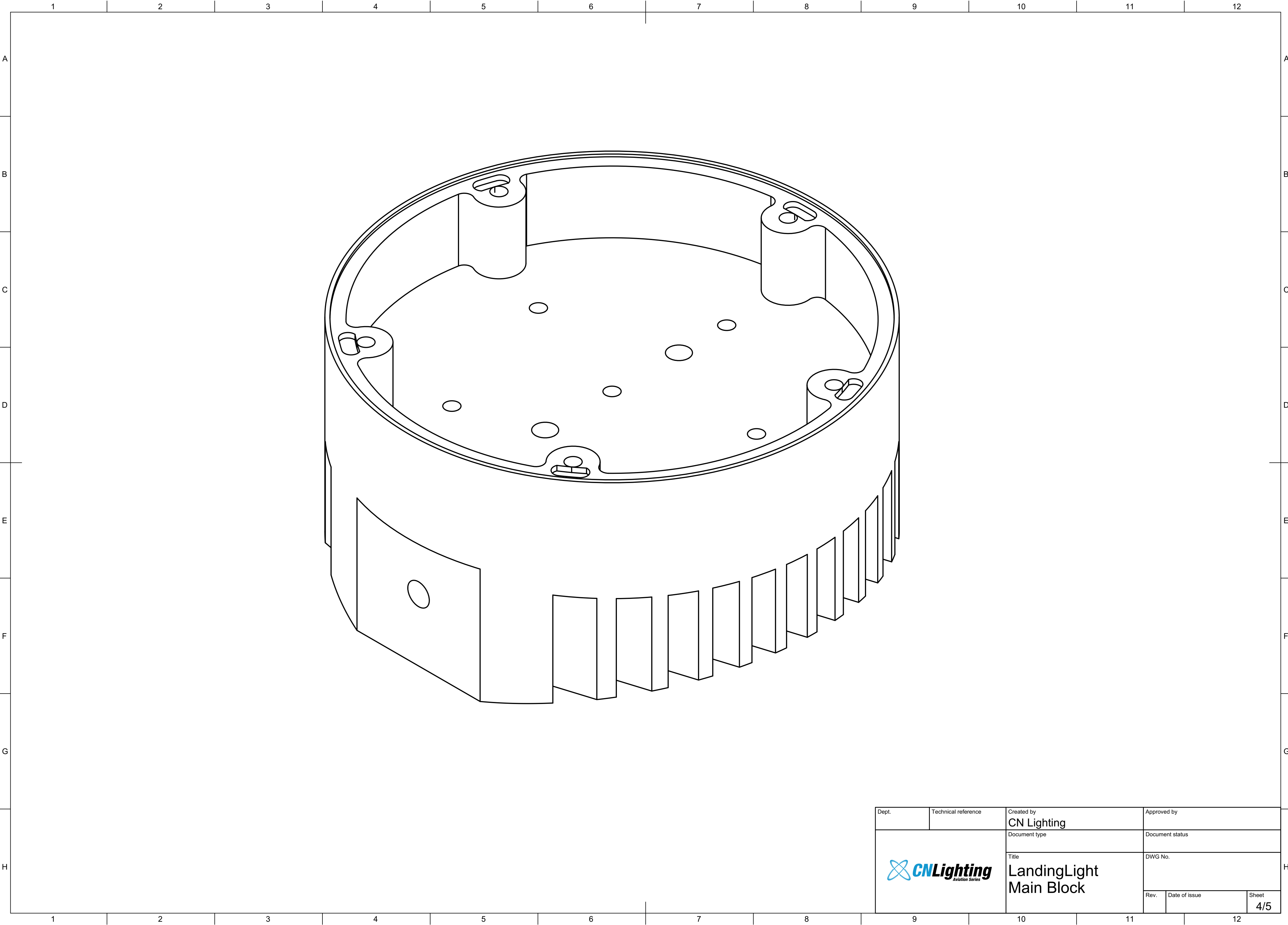
1 2 3 4 5 6 7 8 9 10 11 12




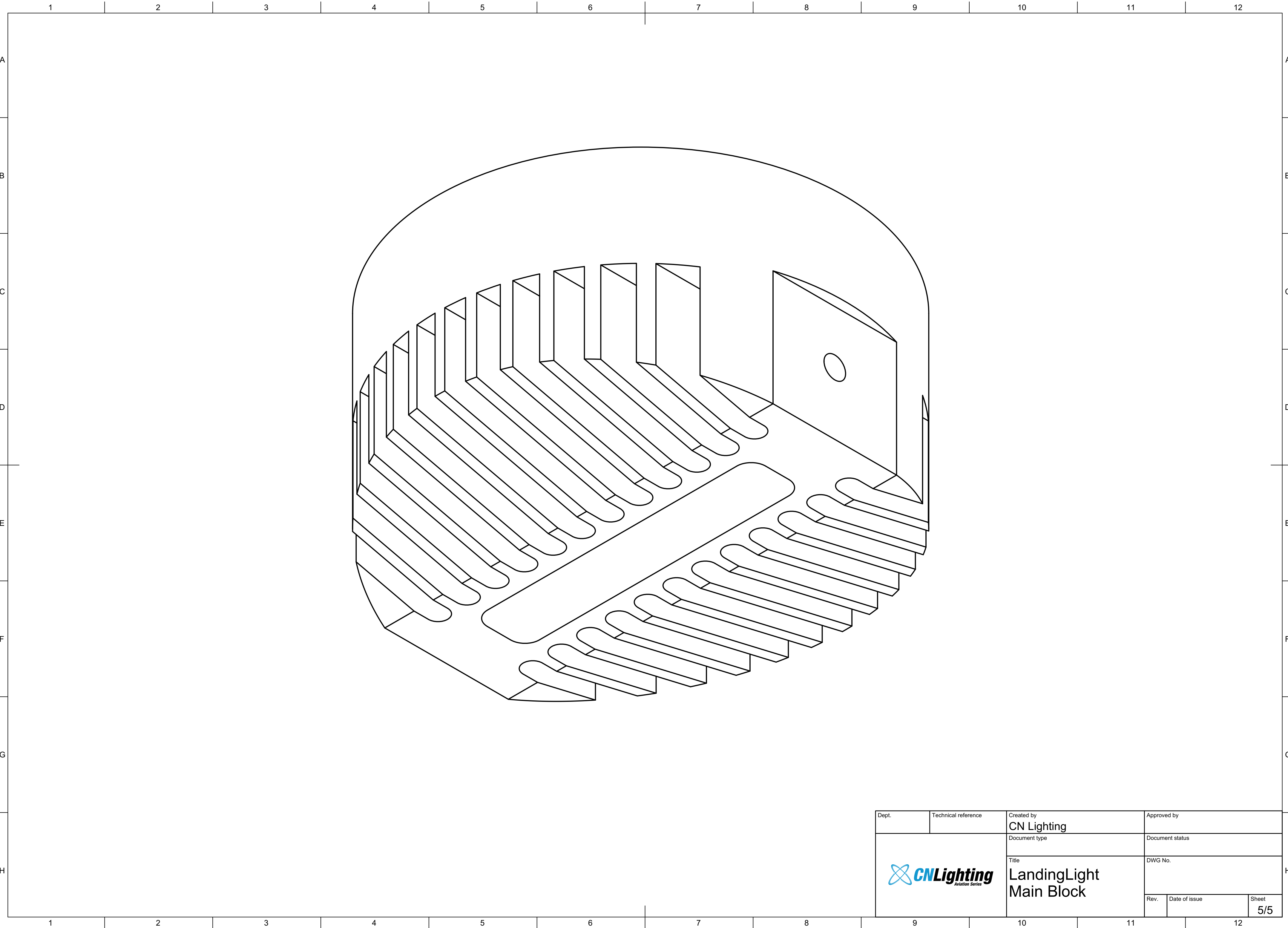
Dept.	Technical reference	Created by <b>CN Lighting</b>	Approved by
		Document type	Document status
		Title <b>LandingLight Main Block</b>	
Rev.	Date of issue	Sheet <b>2/5</b>	




Dept.	Technical reference	Created by <b>CN Lighting</b>	Approved by
		Document type	Document status
		Title <b>LandingLight Top Ring</b>	
Rev.	Date of issue	Sheet <b>3/5</b>	



Dept.	Technical reference	Created by <b>CN Lighting</b>	Approved by
		Document type	Document status
		Title <b>LandingLight Main Block</b>	DWG No.
Rev.	Date of issue	Sheet <b>4/5</b>	



Dept.	Technical reference	Created by <b>CN Lighting</b>	Approved by
		Document type	Document status
		Title <b>LandingLight Main Block</b>	DWG No.
Rev.	Date of issue	Sheet <b>5/5</b>	