

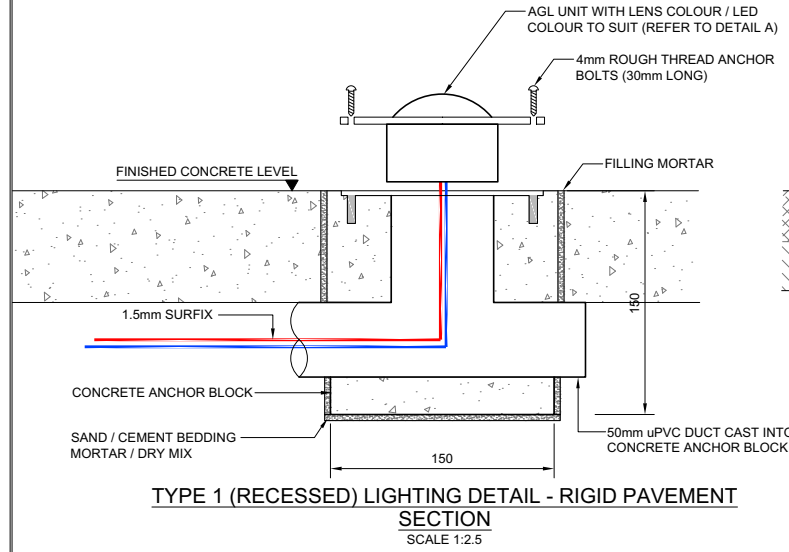
COPYRIGHT

THIS MATERIAL AND INFORMATION WHICH IT CONTAINS IS SUBJECT TO COPYRIGHT AND MAY NOT BE REPRODUCED OR UTILIZED IN ANY WAY WHATSOEVER WITHOUT THE WRITTEN CONSENT OF

NURIZON CONSULTING (PTY) LTD

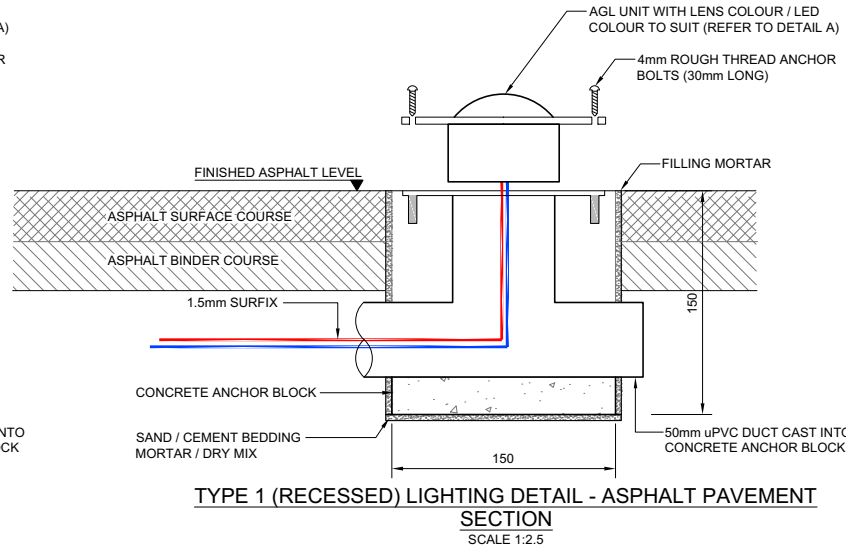
NOTES:

1. ALL DIMENSIONS IN MILLIMETRES UNLESS OTHERWISE NOTED.
2. TYPE 1 LIGHT UNITS :
- RUNWAY EDGE - CN09
- TAXIWAY EDGE - CN15
3. EPOXY SPLICING KIT TO BE USED TO JOIN 1.5mm AND 4mm SURFIX CABLES.



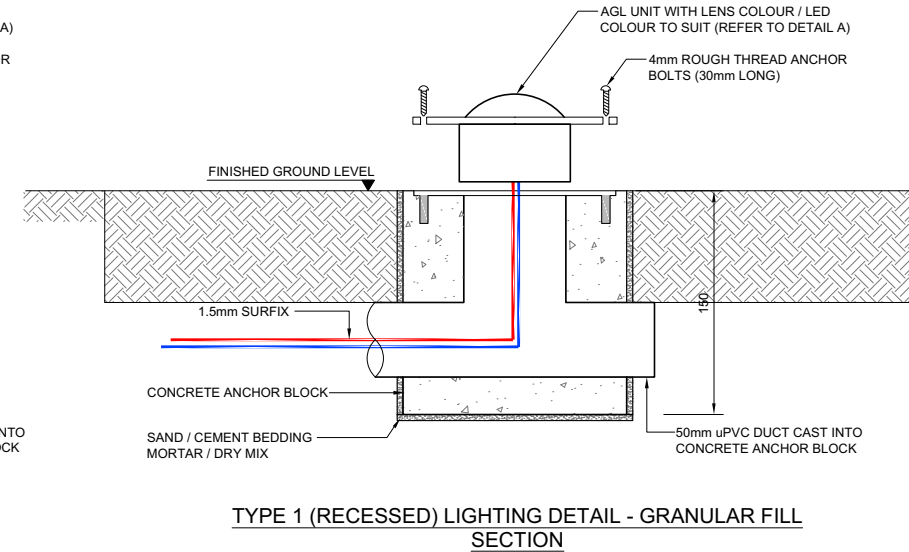
TYPE 1 (RECESSED) LIGHTING DETAIL - RIGID PAVEMENT

SECTION
SCALE 1:2.5



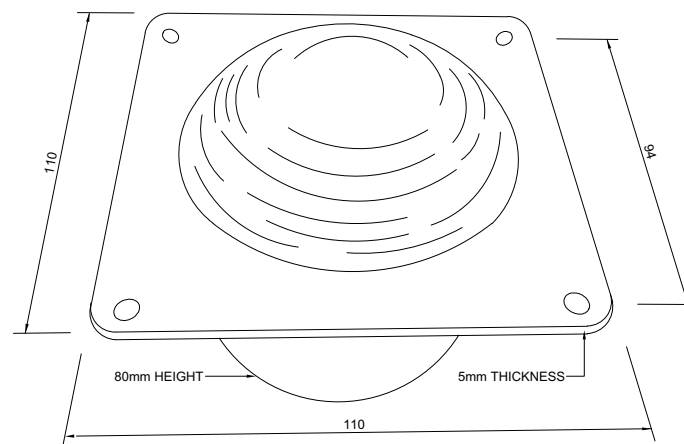
TYPE 1 (RECESSED) LIGHTING DETAIL - ASPHALT PAVEMENT

SECTION
SCALE 1:2.5



TYPE 1 (RECESSED) LIGHTING DETAIL - GRANULAR FILL

SECTION
SCALE 1:2.5



DETAIL A : TYPE 1 HELIPAD / RECESSED LIGHT (ISOMETRIC)
NOT TO SCALE

REV	DATE	DESCRIPTION	BY
B	22/04/2015	FLUSH LIGHT BLOCK SIZE REVISED	K.D
A	03/03/2015	FOR INFORMATION	K.D

REVISIONS

CLIENT



PO Box 38416
Garfontein East
0060
South Africa
Tel: +27 67 402 4332
Fax: +27 866 169 723

PROJECT DESCRIPTION

TITLE
AGL UNIT TYPE 1 DETAILS

DESIGN BY	C.vR	DRAWN BY	C.B
DESIGN CHECKED	C.vR	DWG CHECKED	K.D
SIGNED		SIGNED	
DRAWN DATE	APRIL 2015	APPROVED DATE	APRIL 2015

FOR INFORMATION

SCALE	AS SHOWN	PAPER SIZE	(A1)
SHEET OF SHEETS		REVISION	B

DWG NO
CN/REF/002